
Fraunhofer Institute for Solar Energy Systems



Indicators

Fraunhofer ISE, 2004

personnel	415 persons
(incl. PhD and Diploma Students)	97 persons
personnel, full time equivalent	245 persons
budget, incl. investments Mio €	26,8

Business Areas

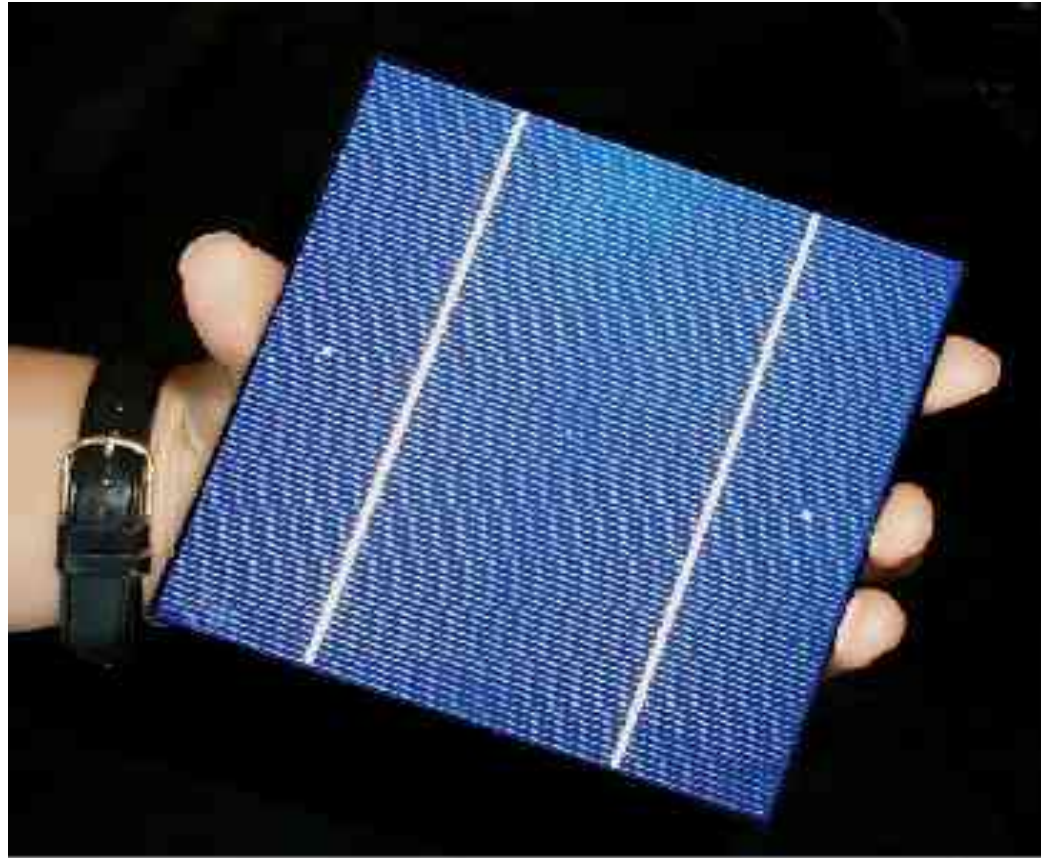
- Buildings and Building Service Technology
- Solar Cells
- Off- grid Power Supplies
- Decentralised Power Supply
and Energy Storage in the Electricity Grid
- Hydrogen Technology



Solar Cooling



Silicon solar cell



Photovoltaics electricity generation, optical concentration, AMONIX Inc. (USA)

Power 25 kW (AC)

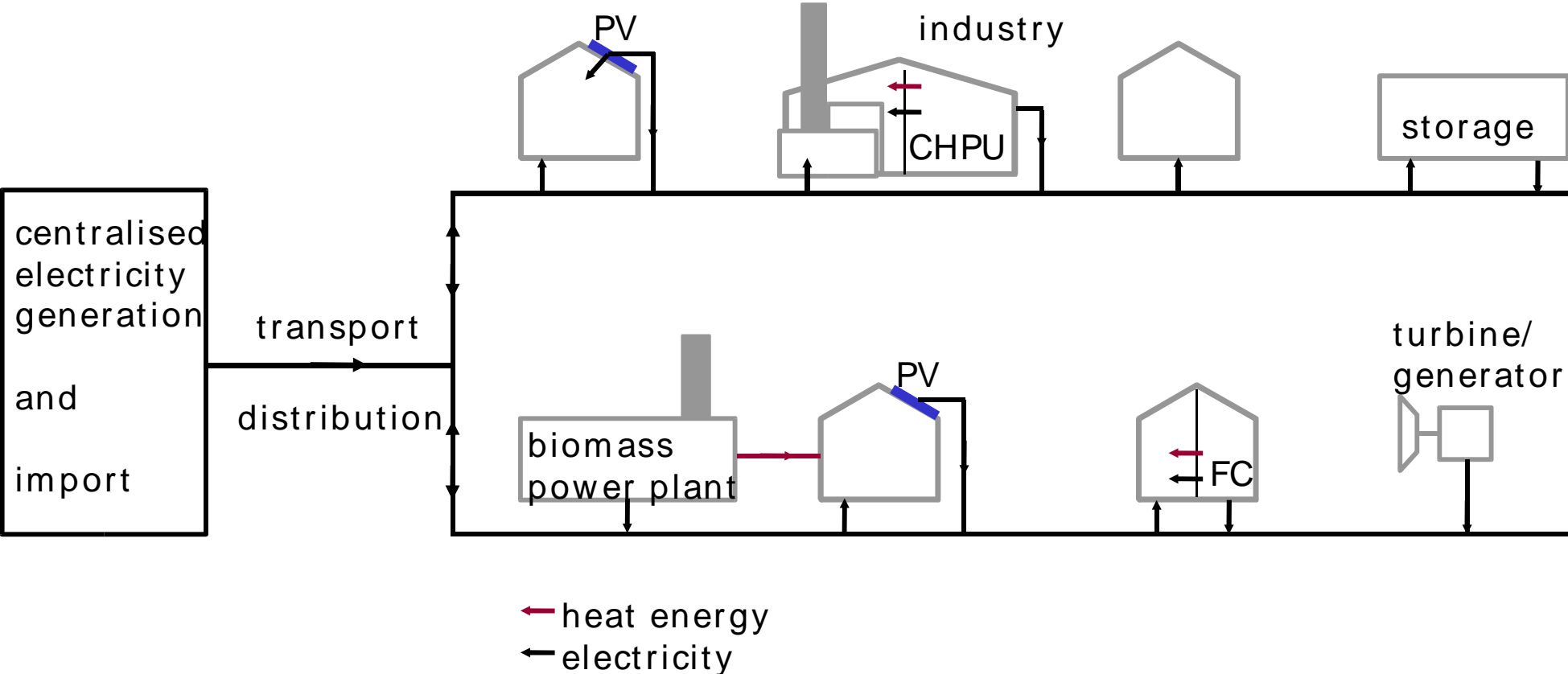
Concentration 250



Photovoltaic energy supply



Distributed electricity generation



Revenue Structure Operation

